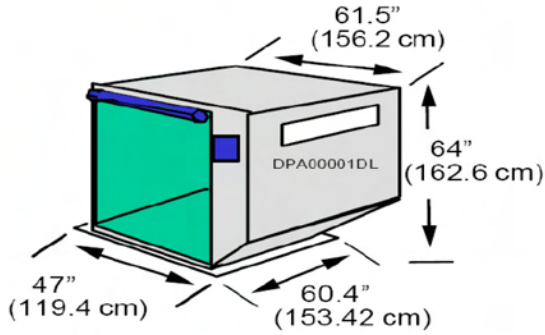


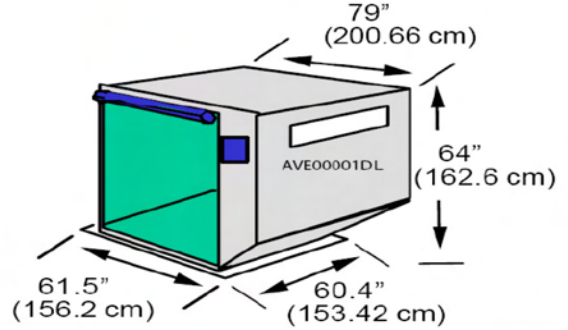
CONTAINER AND PALLET SPECIFICATIONS

LD2 CONTAINER



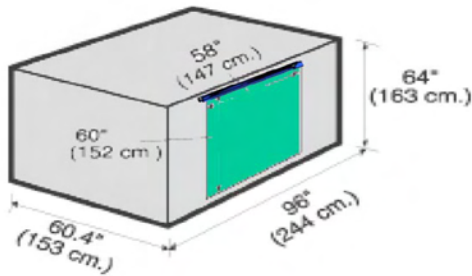
| | |
|---------------------|---|
| CONTAINER VOLUME: | 120 cu. ft./3.5 cu. m. |
| MAX GROSS WEIGHT: | 2,700 lbs/1,225 kgs |
| DIMENSIONS [LxWxH]: | 47 x 60.4 x 64 in 119 x 153 x 163 cm |
| AIRCRAFT TYPE: | B767 |

LD3 CONTAINER



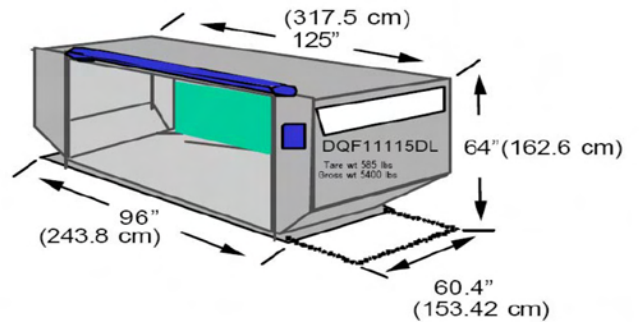
| | |
|---------------------|---|
| CONTAINER VOLUME: | 150 cu. ft./4.5 cu. m. |
| MAX GROSS WEIGHT: | 3,500 lbs/1,588 kgs |
| DIMENSIONS [LxWxH]: | 61.5 x 60.4 x 64 in 156 x 153 x 163 cm |
| AIRCRAFT TYPE: | B777, B747, A330 |

LD4 CONTAINER



| | |
|---------------------|---|
| CONTAINER VOLUME: | 194 cu. ft./5.7 cu. m.. |
| MAX GROSS WEIGHT: | 5,400 lbs/2,449 kgs |
| DIMENSIONS [LxWxH]: | 96 x 60.4 x 64 in 244 x 153 x 163 cm |
| AIRCRAFT TYPE: | B777, B767 |

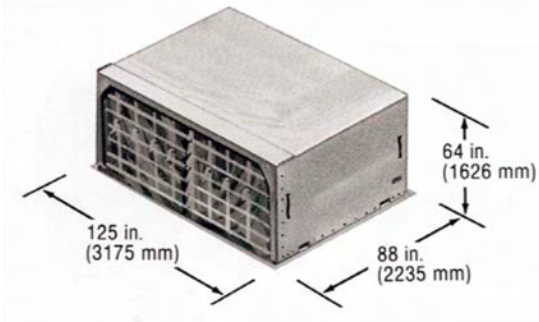
LD8 CONTAINER



| | |
|---------------------|---|
| CONTAINER VOLUME: | 253 cu. ft./7.1 cu. m. |
| MAX GROSS WEIGHT: | 5,400 lbs/2,449 kgs |
| DIMENSIONS [LxWxH]: | 96 x 60.4 x 64 in 244 x 153 x 163 cm |
| AIRCRAFT TYPE: | B777, B767 |

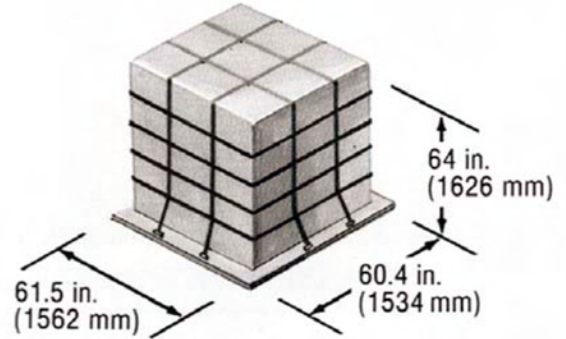
CONTAINER AND PALLET SPECIFICATIONS

LD9 CONTAINER



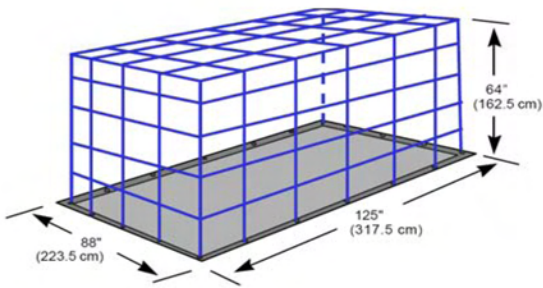
| | |
|----------------------------|--|
| CONTAINER VOLUME: | 381 cu. ft./10.8 cu. m. |
| MAX GROSS WEIGHT: | 10,200 lbs/4,627 kgs |
| DIMENSIONS [LxWxH]: | 125 x 88 x 64 in 318 x 224 x 163 cm |
| AIRCRAFT TYPE: | B777, B767, A330 |

PKC & PKN



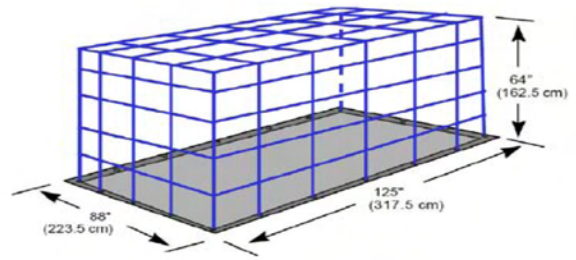
| | |
|----------------------------|--|
| CONTAINER VOLUME: | PKN-110.5 cu. ft./3.1 cu. m. PKC-119 cu. ft./3.4 cu. m. |
| MAX GROSS WEIGHT: | 3,500 lbs/1,588 kgs |
| DIMENSIONS [LxWxH]: | 61.5 x 60.4 x 64 in 156 x 153 x 163 cm |
| AIRCRAFT TYPE: | B777, B747, A330 |

P1P



| | |
|----------------------------|---|
| CONTAINER VOLUME: | 381 cu. ft./10.8 cu. m. |
| MAX GROSS WEIGHT: | 8,800 - 10,200 lbs 3,992 - 4,627 kgs |
| DIMENSIONS [LxWxH]: | 125 x 88 x 64 cm |
| AIRCRAFT TYPE: | B777, B747, B767, A330 |

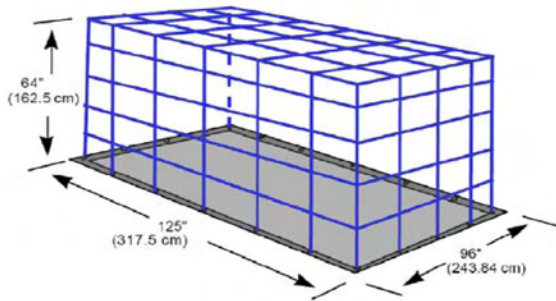
PAG



| | |
|----------------------------|--|
| CONTAINER VOLUME: | 381 cu. ft./10.8 cu. m. |
| MAX GROSS WEIGHT: | 10,200 lbs/4,627 kgs |
| DIMENSIONS [LxWxH]: | 125 x 88 x 64 in 318 x 224 x 163 cm |
| AIRCRAFT TYPE: | B777, B747, B767, A330 |

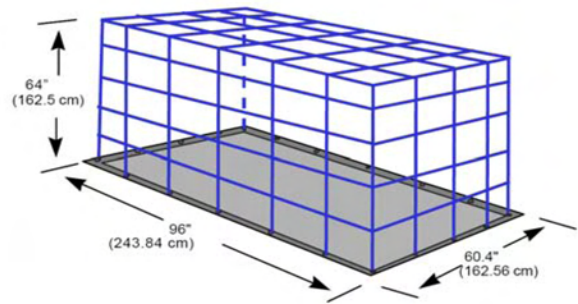
CONTAINER AND PALLET SPECIFICATIONS

PMC



| | |
|----------------------------|--|
| CONTAINER VOLUME: | 745 cu. ft./21.2 cu. m. |
| MAX GROSS WEIGHT: | 11,100 - 15,000 lbs 5,035 - 6,804 kgs |
| DIMENSIONS [LxWxH]: | 125 x 96x 64 in 318 x 244 x 163 cm |
| AIRCRAFT TYPE: | B777, B747, B767, A330 |

FQA



| | |
|----------------------------|--|
| CONTAINER VOLUME: | 279cu. ft./7.9 cu. m. |
| MAX GROSS WEIGHT: | 7,000 lbs/3175 kgs |
| DIMENSIONS [LxWxH]: | 125 x 60.4 x 64 in 318 x 153 x 163 cm |
| AIRCRAFT TYPE: | B777, B767 |